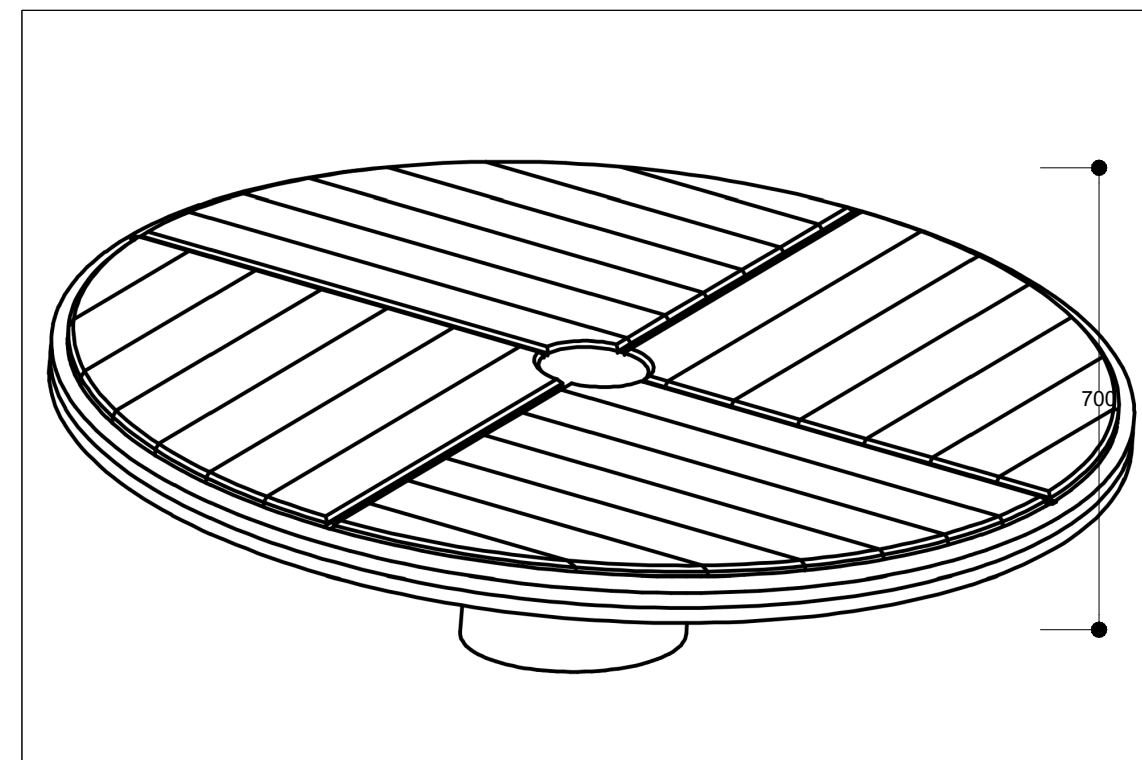


TP03 - Rotating Disc - Plan 01
@1:50



TP03 - Rotating Disc - Image 01
NTS



TP03 - Rotating Disc - Iso 01
NTS

Notes:

Surfacing requirements corresponding to a fall height of ≤ 1.00 m
(please refer to price list for more detailed information)

Rotating floor of 35mm planks made from non-impregnated mountain larch

Foundations:
1 item 80 x 80 x 75 cm
Excavation depth 80 cm

the paul hogarth company

LANDSCAPE ARCHITECTURE / URBAN DESIGN / PLANNING

e: edinburgh@paulhogarth.com e: belfast@paulhogarth.com e: dublin@paulhogarth.com
t: +44 (0)131 331 4811 t: +44 (0)28 9073 6690 t: +353 (0)1 897 0272

visit us at www.paulhogarth.com find us on: facebook / twitter / instagram / linkedin

notes

Do not scale from drawing, use figured dimensions only.
All dimensions are to be checked on site by contractor prior to commencement of all work.
Discrepancies should be reported immediately.
This drawing is to be read in conjunction with all other TPHC drawings and specification.
This drawing is the copyright of the Landscape Architect and must not be reproduced or used without permission.
Ordnance information base information shown is reproduced from Ordnance Survey material © Crown copyright 2018
Licence Number 100034836.

revision	description	date	author	created	10/07/23	drawn	EF	checked	AMG	scale @ A3	As Shown
P01	Planning	27/10/23	EF	project number	1549	drawing number	912	revision	P01		
				client	Cavan County Council						
				project	Dun A Rí Natural Play						
				drawing	Landscape Details - Equipment Details 02 of 16						
				status	Planning						