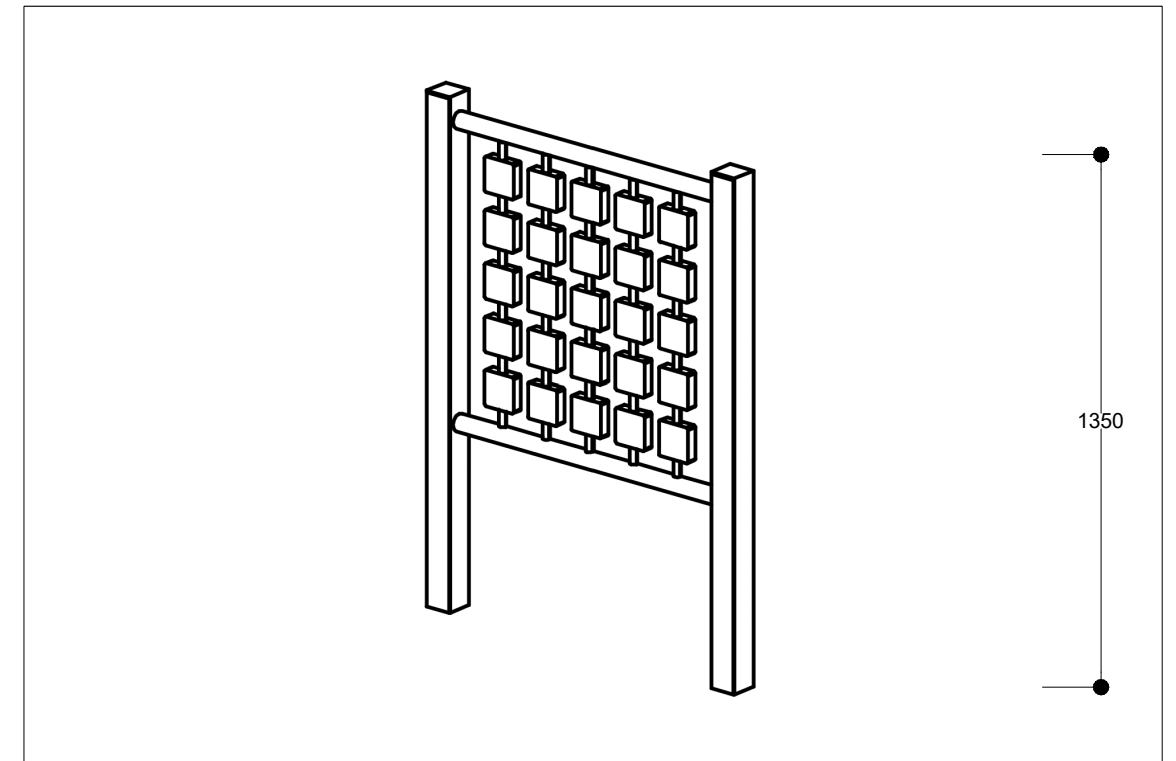


TP08 - Pairs Game - Plan 01
@1:50



TP08 - Pairs Game - Iso 01
NTS



TP08 - Pairs Game - Image 01
NTS

Notes:

Surfacing requirements - None

Frame and standposts made of stainless steel; glass bead blasted

Foundations:
2 items 40 x 40 x 40 cm
Excavation depth 60 cm

the paul hogarth company

LANDSCAPE ARCHITECTURE / URBAN DESIGN / PLANNING

e: edinburgh@paulhogarth.com e: belfast@paulhogarth.com e: dublin@paulhogarth.com
t: +44 (0)131 331 4811 t: +44 (0)28 9073 6690 t: +353 (0)1 897 0272

visit us at www.paulhogarth.com find us on: facebook / twitter / instagram / linkedin

notes

Do not scale from drawing, use figured dimensions only.
All dimensions are to be checked on site by contractor prior to commencement of all work.
Discrepancies should be reported immediately.
This drawing is to be read in conjunction with all other TPHC drawings and specification.
This drawing is the copyright of the Landscape Architect and must not be reproduced or used without permission.
Ordnance information base information shown is reproduced from Ordnance Survey material © Crown copyright 2018
Licence Number 100034836.

revision

description

date

author

P01

Planning

27/10/23

EF

created 10/07/23 drawn EF checked AMG scale @ A3 As Shown

project number 1549 drawing number 918 revision P01

client Cavan County Council

project Dun A Rí Natural Play

drawing Landscape Details - Equipment Details 08 of 16

status Planning