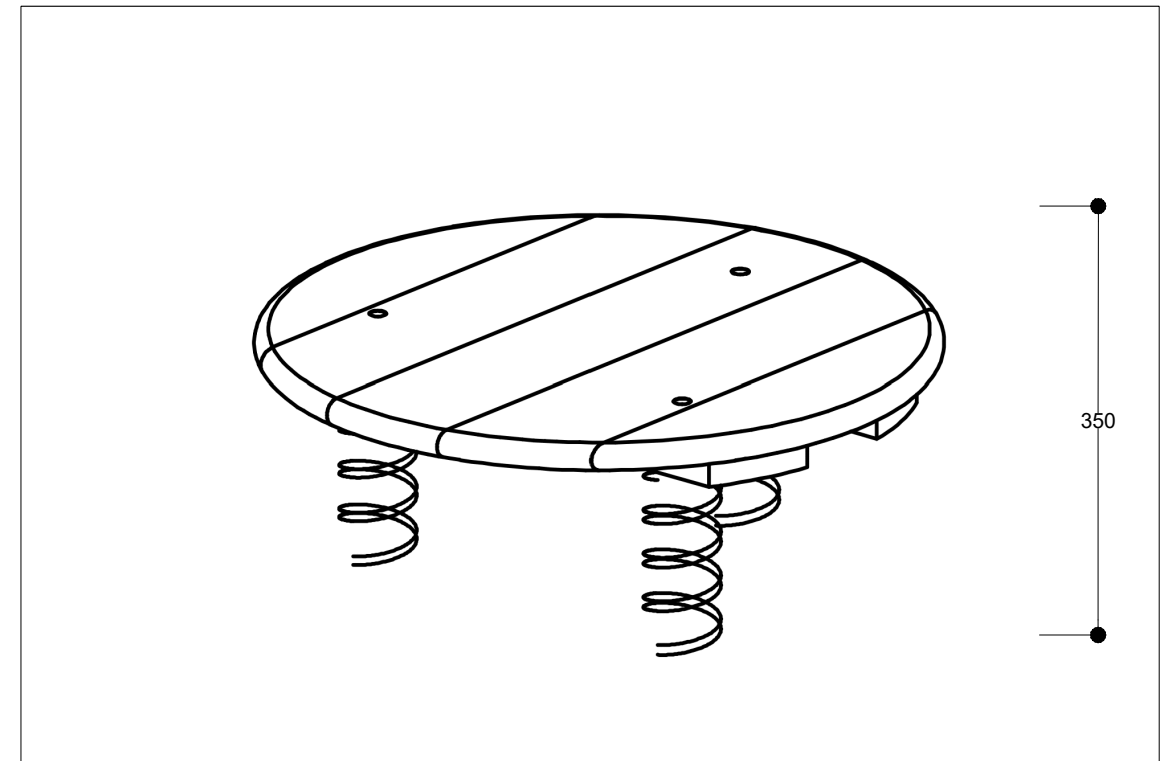


TP14 - Jumping Disc - Plan 01
@1:50



TP14 - Jumping Disc - Image 01
NTS



TP15 - Jumping Disc - Plan 01
NTS

Notes:

Surfacing requirements corresponding to a fall height of ≤ 0.60 m
(please refer to price list for more detailed information)

Equipment made of non-impregnated mountain larch

Foundations:
Excavation for pre-fabricated concrete foundation $\varnothing 95$ cm x 15 cm
For installation in loose material, an additional anchorage in concrete is necessary on-site.

the paul hogarth company

LANDSCAPE ARCHITECTURE / URBAN DESIGN / PLANNING

e: edinburgh@paulhogarth.com e: belfast@paulhogarth.com e: dublin@paulhogarth.com
t: +44 (0)131 331 4811 t: +44 (0)28 9073 6690 t: +353 (0)1 897 0272

visit us at www.paulhogarth.com find us on: facebook / twitter / instagram / linkedin

notes

Do not scale from drawing, use figured dimensions only.
All dimensions are to be checked on site by contractor prior to commencement of all work.
Discrepancies should be reported immediately.
This drawing is to be read in conjunction with all other TPHC drawings and specification.
This drawing is the copyright of the Landscape Architect and must not be reproduced or used without permission.
Ordnance information base information shown is reproduced from Ordnance Survey material © Crown copyright 2018
Licence Number 100034836.

revision	description	date	author	created	10/07/23	drawn	EF	checked	AMG	scale @ A3	As Shown
P01	Planning	27/10/23	EF	project number	1549	drawing number	924	revision	P01		
				client	Cavan County Council						
				project	Dun A Rí Natural Play						
				drawing	Landscape Details - Equipment Details 14 of 16						
				status	Planning						