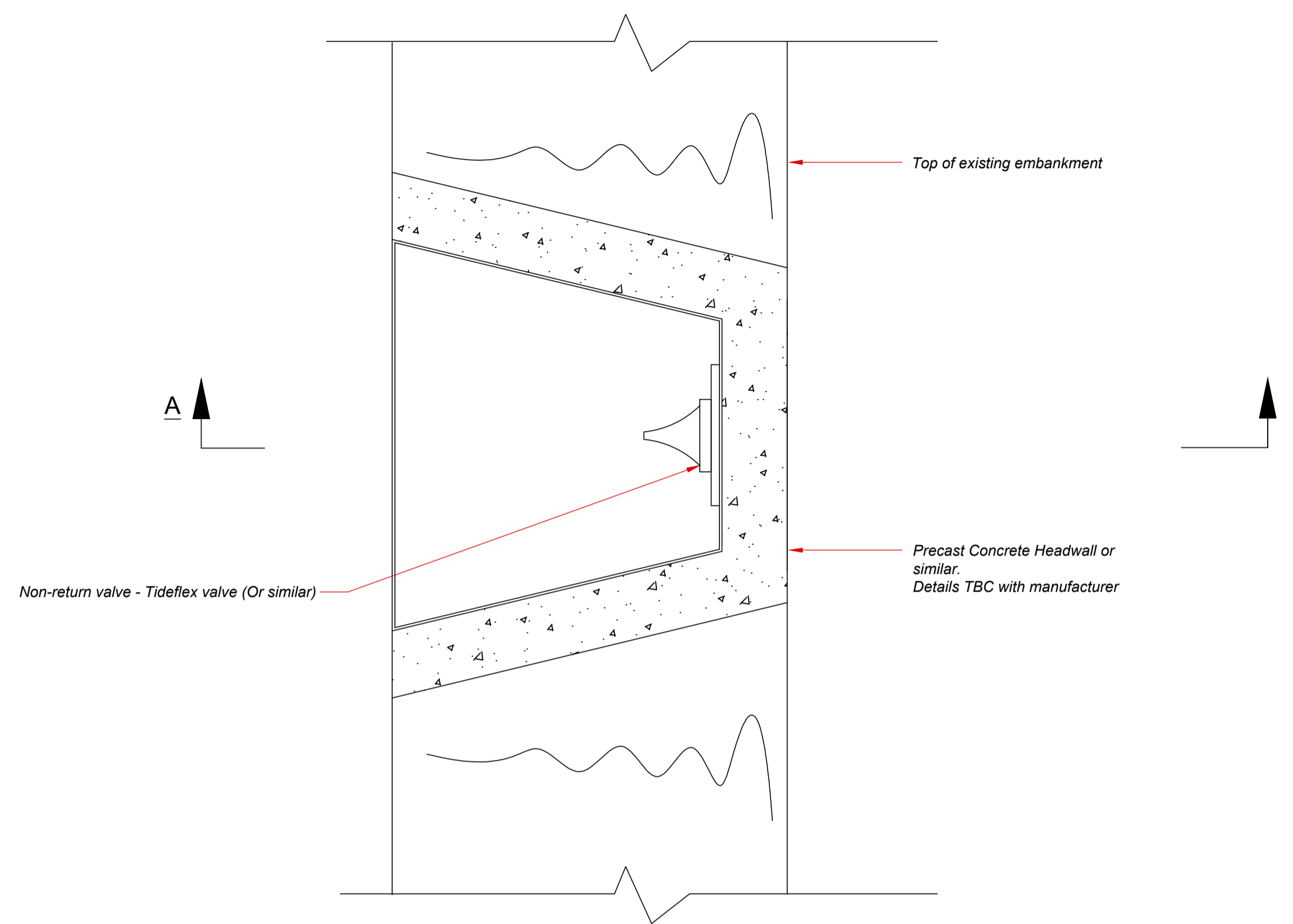
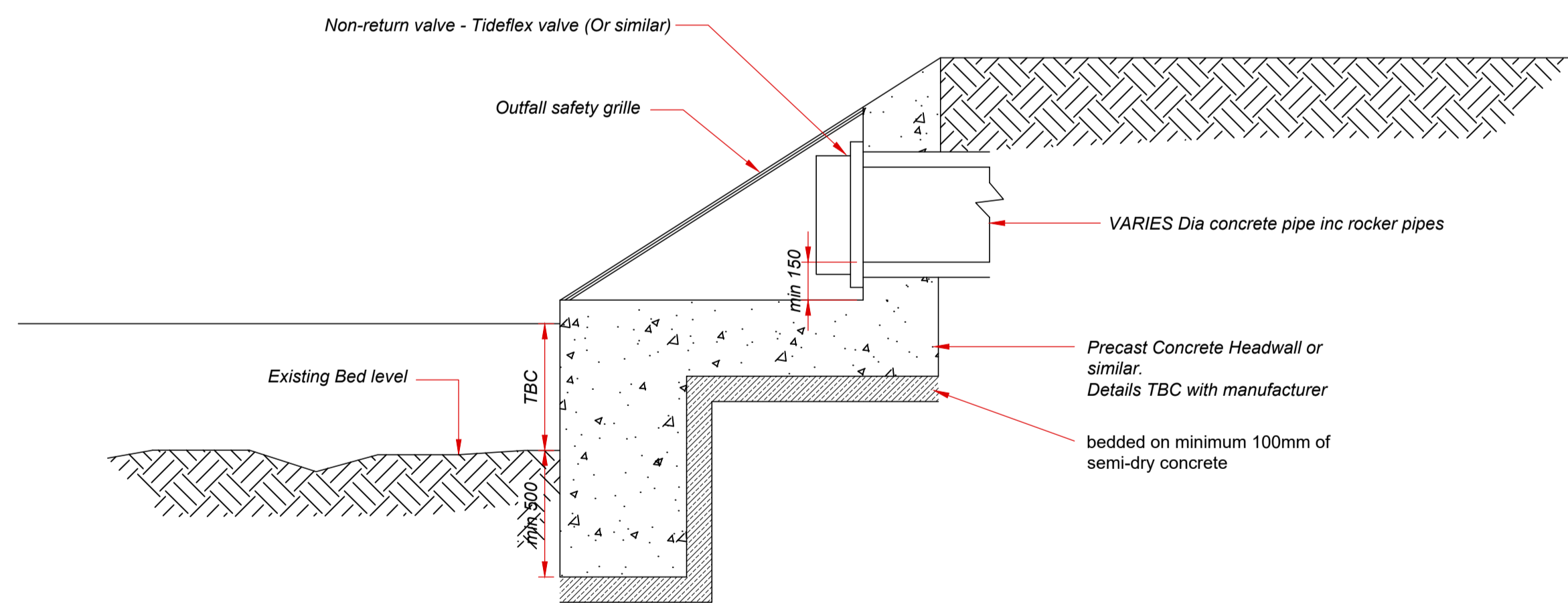


DETAIL 4.1 - PRECAST CONCRETE HEADWALL
Scale 1:25



DETAIL 4.2 - PLAN OUTFALL
Scale 1:25



DETAIL 4.3 - OUTFALL SECTION A-A
Scale 1:25

1. All dimensions are in millimeters unless stated otherwise. All levels are in meters referenced to AOD.
2. This drawing should be read in conjunction with all relevant drawings (Architectural and Engineering).
3. Materials and Workmanship to be as Civil Engineering Specification for the Water Industry 6th Edition; published by WRc plc 2004 unless otherwise stated. Should there be any discrepancy between details indicated on this drawing and those indicated on any Architect drawings this should be highlighted prior to construction.
4. If precast units are used, internal dimensions shown/specified may be varied to suit manufacturer's dimensions provided minimum dimensions are maintained.
5. All details illustrated are to be constructed in accordance with manufacturers specifications/ guidelines.
6. The Contractor shall confirm on site, the position and level of existing infrastructure including existing services prior to commencing any work.
7. Any significant difference in line and level that will affect the overall design shall be referred to the Project Manager at the earliest opportunity.
8. All chambers to be constructed in accordance with manufacturers specifications/ guidelines.

Rev	Issue Date	Description	App
Status PLANNING			
Client Cavan County Council			
Project Cavan Regional Sports Campus			
Drawing Construction Details - Headwall			
Scale As Shown @ A1			
Contact Details		1c Montgomery House 478 Castlereagh Road Belfast, BT5 6BQ	T: 028 9040 2000 E: admin@mcadamdesign.co.uk www.mcadamdesign.co.uk
Drawn	PC	Checked	PA
Date	14/02/2024	Date	14/02/2024
Approved		PA	
Date		14/02/2024	
Project - Organisation - Zone - Level - Type - Role - Number - Revision			
CRSP - MCA - 00 - 00 - DR - C - 3004 - P1			
Project Number		Status code & Description	
A2156		S4	
All dimensions are in metres. Figured dimensions to be taken in preference to scale dimensions. Dimensions to be checked on site. © 2021 McAdam Design Ltd.			