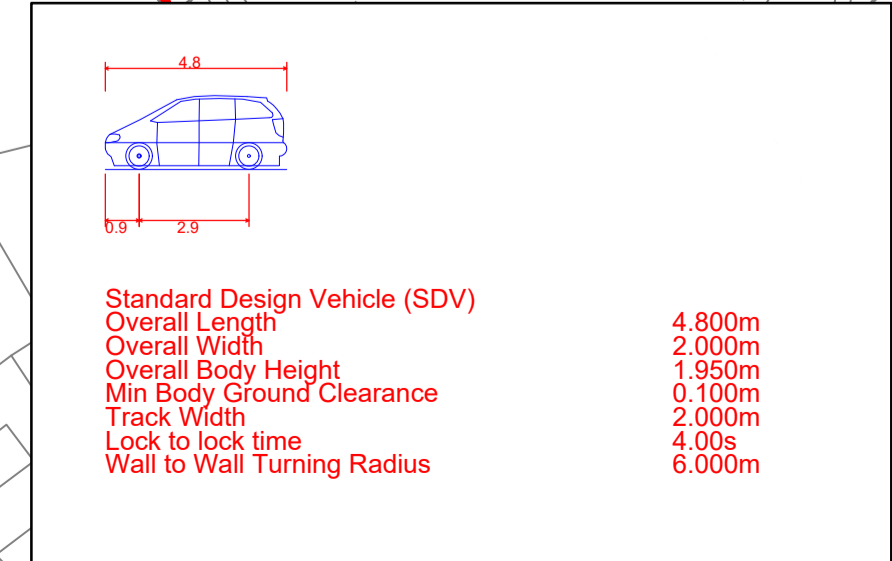
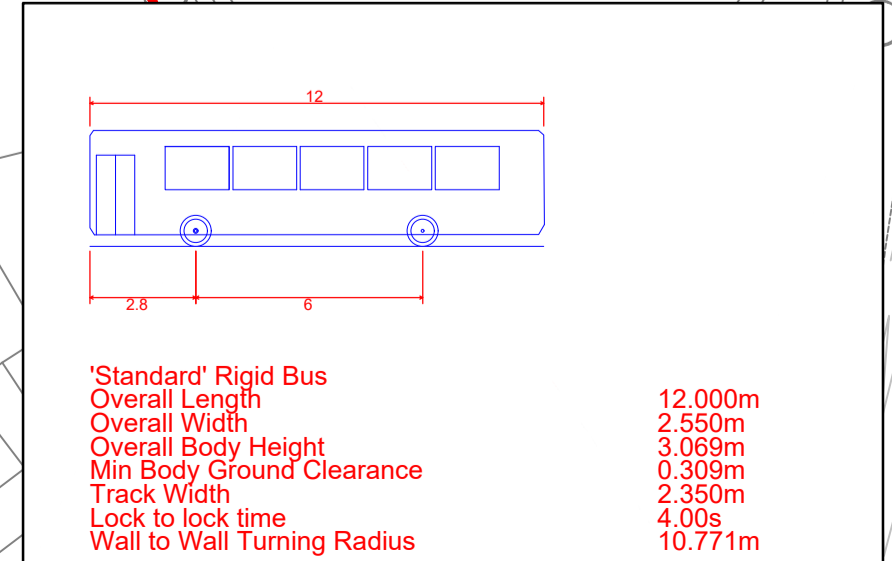
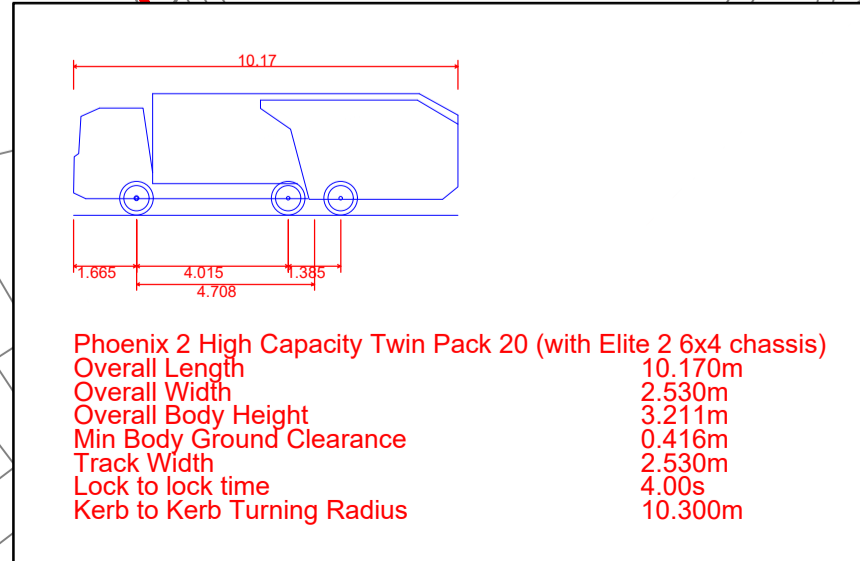


NOTES:

1. All dimensions are in millimeters unless stated otherwise.
2. All levels are in meters referenced to AOD.
3. This drawing should be read in conjunction with all relevant drawings (Architectural and Engineering).

LEGEND:

— Site boundary



P2	05/03/2024	Site Layout Amended	PC
Rev	Issue Date	Description	App
Status	FOR PLANNING		
Client	Cavan County Council		
Project	Cavan Regional Sports Campus		
Drawing	Proposed Layout-Vehicle Tracking		
Scale	1:1000 @ A1		
Contact Details	1c Montgomery House 478 Castlereagh Road Belfast, BT5 6BQ	T: 028 9040 2000 E: admin@mcadamdesign.co.uk www.mcadamdesign.co.uk	
Drawn	PC	Checked	PA
Date	14/02/2024	Date	14/02/2024
Approved	PA	Date	14/02/2024
Project	- Organisation - Zone - Level - Type - Role - Number - Revision		
CRSP	- MCA - 00 - 00 - DR - C - 1700 - P2		
Project Number	Status code & Description		
A2156	S4		
All dimensions are in metres. Figured dimensions to be taken in preference to scale dimensions. Dimensions to be checked on site. © 2021 McAdam Design Ltd.			